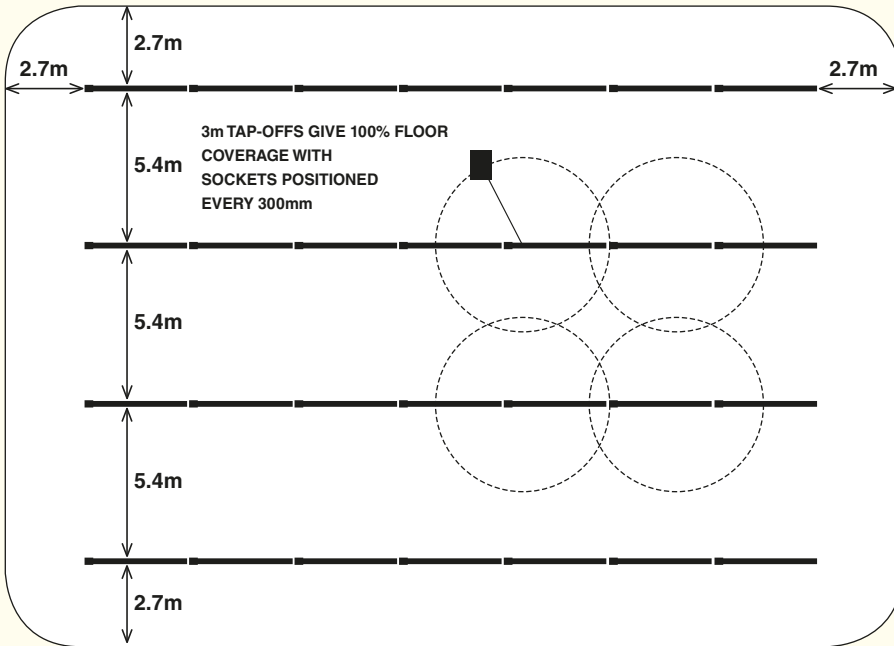
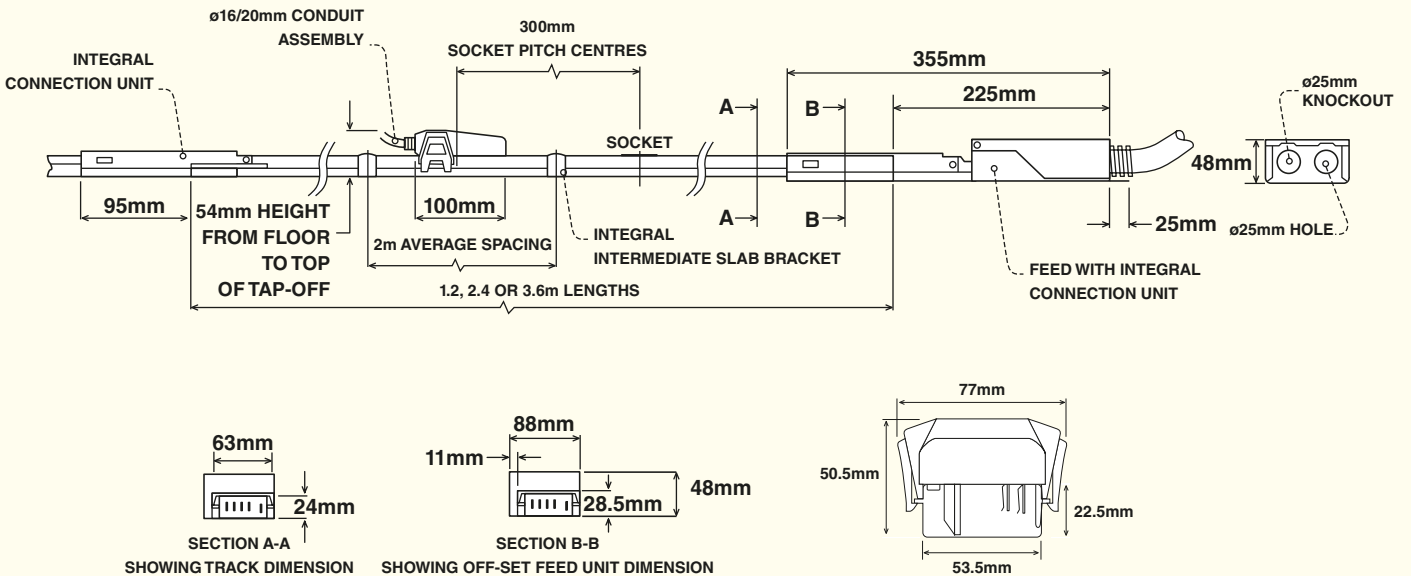


Interact Underfloor Power

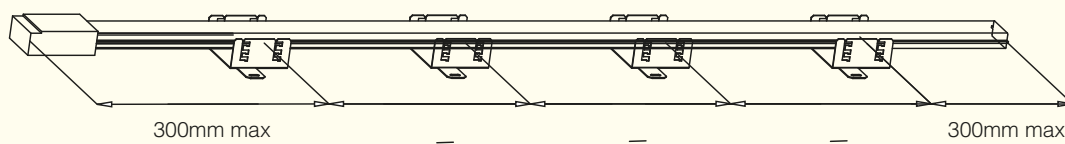
Typical floor layout



Dimensions



Elevating fixing Brackets should be positioned within 300mm from either end of a track run and either side of all joints.



Minimum support requirement:

- 3.6 metre length = 4 brackets equally spaced
- 2.4 metre length = 3 brackets equally spaced
- 1.2 metre length = 2 brackets equally spaced

Interact Underfloor Technical

raised floor systems

customer services +420 602 526 587

Interact Underfloor Power

Technical Specification

Underfloor 63A and 40A – complies with BS EN 61534:2003

Manufactured within ISO 9000-9002 environment.

Electrical Specification	63A	40A	
Rated Current	63	40	A
Rated Voltage	480	480	V
Frequency	50/60	50/60	Hz
Conditional Short Circuit Rating	16	16	kA
Resistance per Copper Conductor (At ambient temperature 20°C)	1.3	1.3	mΩ/m
Impedance per Copper Conductor (At ambient temperature 20°C)	1.3	1.3	mΩ/m
Volt Drops (Full load, concentrated at one end) (Line + Neutral)			
Powertrack	2.9	2.9	mV/A/m
Feed Unit	0.6	0.6	mV/A
Tap-off Connection	1.6	1.6	mV/A
+ 4mm ² Cable	10	10	mV/A/m
+ 2.5mm ² Cable	18	18	mV/A/m
Joint	0.6	0.6	mV/A
Flexible interlink Unit	0.8	0.8	mV/A
+ 10mm ² Cable	4.0	4.0	mV/A/m
Earth Fault Loop Impedance			
Line Conductor	1.5	1.5	mΩ/m
Earth			
– Case	1.0	1.0	mΩ/m
– Copper	1.5	1.5	mΩ/m
– Copper + Case	0.75	0.75	mΩ/m
Feed Unit (Line + Earth)	0.6	0.6	mΩ
Tap-off Connection (Line + Earth)	3.1	3.1	mΩ
+ 4mm ² Cable R1 + R2	10	10	mΩ/m
+ 2.5mm ² Cable R1 + R2	18	18	mΩ/m
Joint (Line + Earth)	0.6	0.6	mΩ
Flexible Interlink Unit (Line + Earth)	0.8	0.8	mΩ
+ 10mm ² Cable R1 + R2	3.7	3.7	mΩ/m

Mechanical Data

	63A	40A	
Max. No. of Copper Conductors	5	5	
Conductor Cross Section Area (Nominal)	14.4	14.4	mm ²
Powertrack Casing Copper Equivalent (Where Casing is Protective Earth)	14.5	14.5	mm ²
Cable Termination Capacity	16	16	mm ²
Tap-off Cable 32A	4.0	4.0	mm ²
Tap-off Cable 13A	2.5	2.5	mm ²
Tap-off Conduit Sizes	16/20	16/20	Ømm
Flexible Interlink Cable	10	10	mm ²
Flexible Interlink Conduit	25	25	Ømm
Integral Feed Conduit Entry	1 x 25	1 x 25	Ømm
Feed Conduit Entry	2 x 25	2 x 25	Ømm
IP Rating	4X	4X	

Materials Specification

Powertrack Casing, Feeds and Brackets	Galvanised Steel
Conductors	High Conductivity Copper
Dust cover	
Powertrack Insulators	63A – polyamide and Polyester 40A – PVC Sockets / Tap-off Plug / Joint
Mouldings	Noryl SE1 (Modified PPO)
Shutter	Polycetal
Tap-off/Interlink Flexible Conduit	Galvanised Steel
Tap-off Cable (Singles in Conduit)	LSF Cable to BS 7211 (PVC Cable to BS 6004 available on request)
Tap-off Cable (Multi-core)	Multi-core Cable to BS 6500 & BS 7211 LSF cable standard (PVC Cable available on request)
Tap-off Pins	
– Line, Neutral & Copper Earth	Copper and Phosphorous Bronze, tin plated
– Casing Earth	Brass, tin plated
Flexible Interlink Cable	10mm ² cable to BS 6231

3m tap off is actually 2.7/2.8m fully stretched, shortened by 0.1 - 0.2m of slack to ensure it remains flexible when wired to a module.